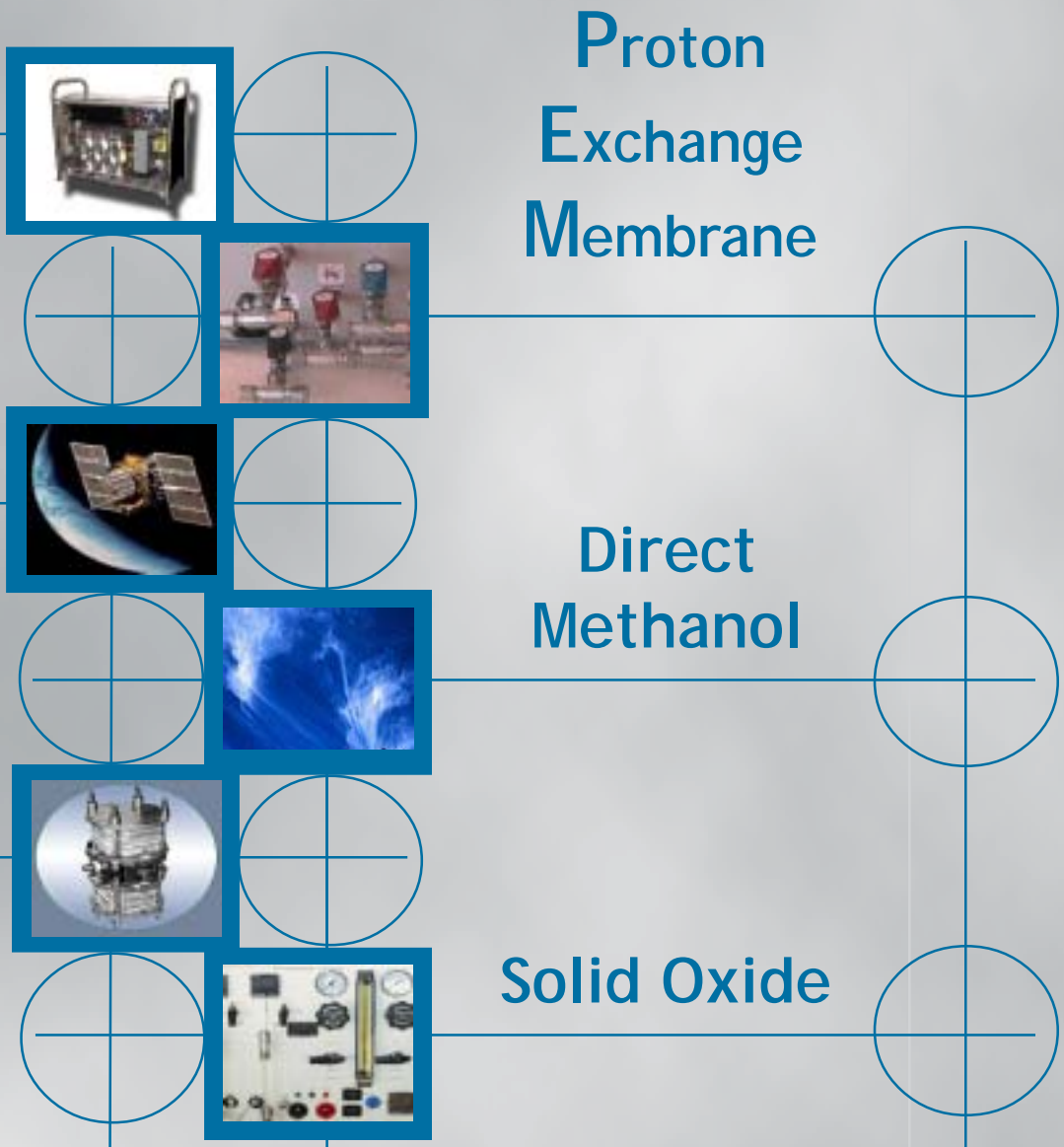


*TESTING AT THE
SPEED OF TECHNOLOGY*



AC Impedance

The FCT System Provides the most accurate AC Impedance measurement technique used the Fuel Cell Testing Industry.

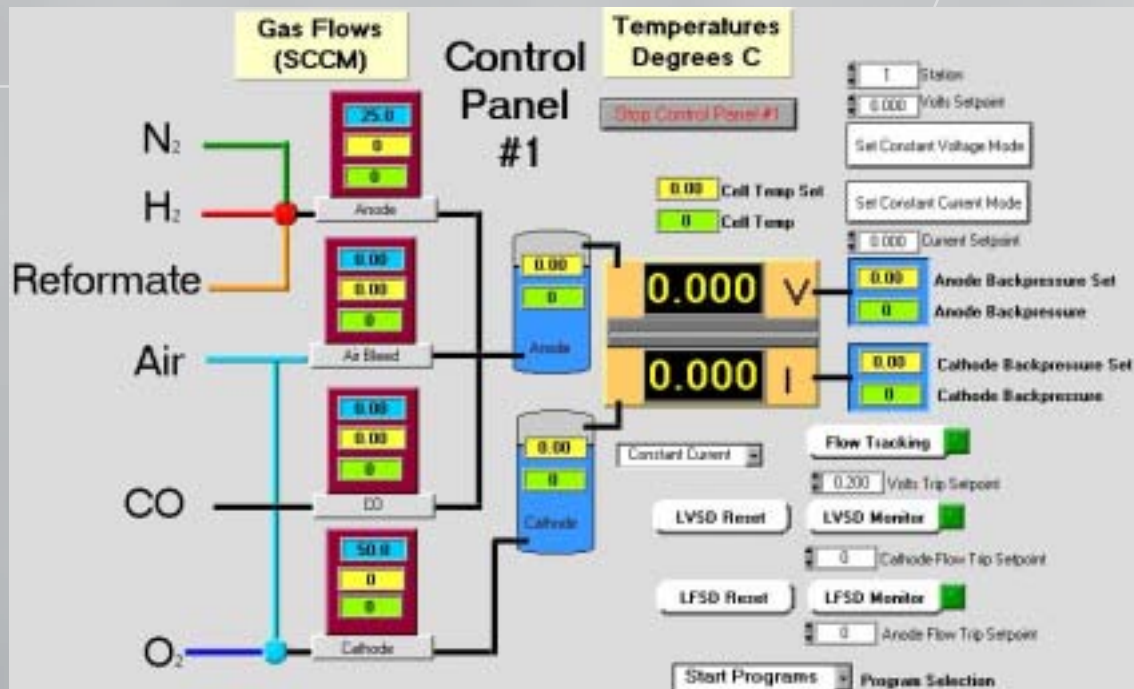


- ❑ Individual Cells
- ❑ Stacks up to 6 Cells
- ❑ Stacks up to 29 Cells
- ❑ Frequency Range: 100mHz to 10KHz
- ❑ Nyquist and Bode Magnitude Curves

What makes the FCT Testing System so Unique??

- ① LabView-Based Software provides individual customization of each application requirement
- ① Unique innovations with humidification bottle design provide unmatched litres-per-minute flow of gases at dewpoint
- ① Integrated design of ultra-reliable components make the FCT system the most robust and dependable system available
- ① The price of the FCT system makes it absolutely the best overall buy in the entire fuel cell testing industry

LabView Based Control and Measurement Software



Why Use The FCT Testing System??

- More Low-Power, complete Fuel cell testing systems in operation than any other competitor
- More experience in building low-power, Fuel Cell Testing Systems than any other competitor (over 28 years combined Testing and Product Development experience)
- FCT products are designed to meet the most stringent requirements

FCT Products:

Complete Fuel Cell Testing Stations (up to 1.8 KW)

▲ DC Electronic Loads Ranges:

- ▲ 10 Amp
- ▲ 60 Amp
- ▲ 120 Amp
- ▲ 240 Amp
- ▲ 360 Amp

▲ Single Cell Hardware

▲ Sizes Available:

5,10,16,25,50,100,250, cm²

▲ Stand Alone Humidity Bottle(s)

▲ Humidification System

▲ Conductivity Cell(s)

▲ Stand Alone Temperature Controller(s)



Contact Information:

Corporate Office

Chuck Derouin

President

Phone: 505-821-4762

Fax: 505-857-9769

E-mail: fuelcell@aol.com

www.fuelcelltechnologies.com

Utah Office

Stan Kell

Sales & Marketing

Phone: 801-423-7801

Fax: 801-423-7802

E-mail: stankell@mindspring.com

Representatives in the Following Regions:

◆ Asia (Including Australia)

◆ Korea

◆ Japan

◆ Europe

◆ Middle East

◆ India